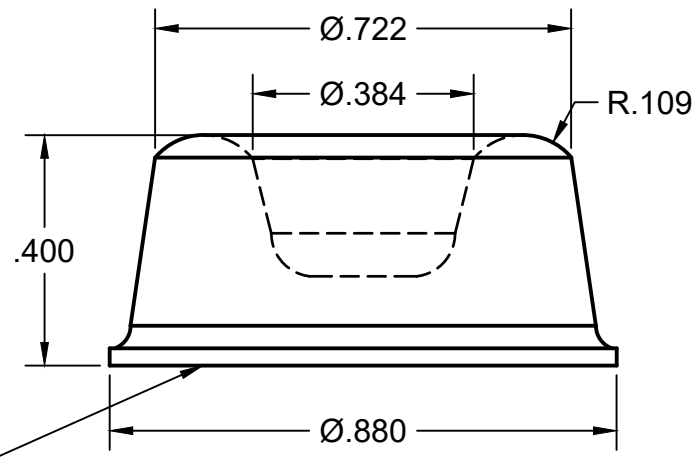
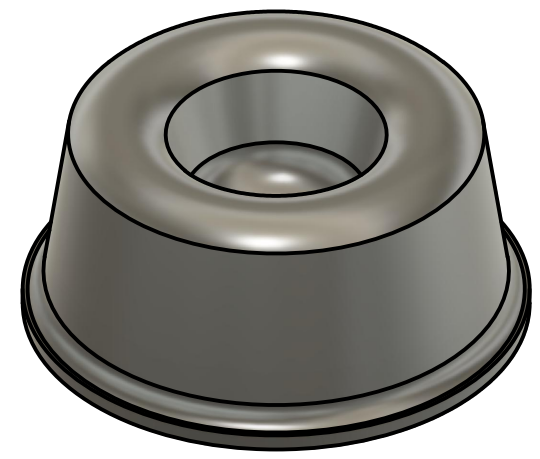
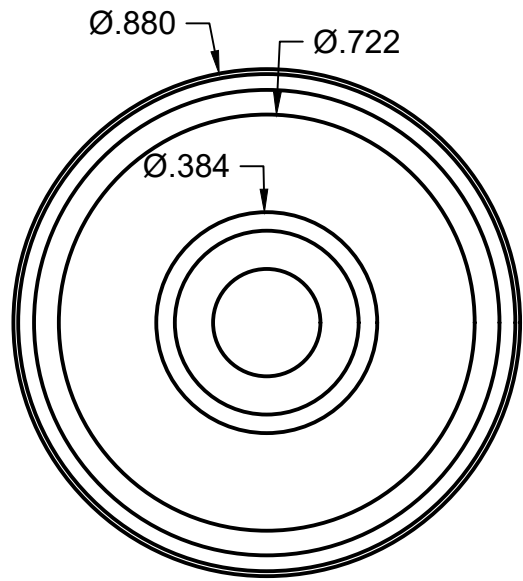


ALL DIMENSIONS IN INCHES



Pressure-Sensitive Adhesive

Nominal web thickness = 0.030"



**MADE IN THE USA**

COMPANY  
 Bumper Specialties, Inc.  
 1607 Imperial Way, West Deptford, NJ 08066  
 (856)-345-7650  
 www.BumperSpecialties.com

TOLERANCE ± 0.020"	DUROMETER, SHORE A 60-70 Standard	MATERIAL Polyurethane
PART NO BS17	DRAWN 11/11/19	REV 1 SHEET 1 of 1